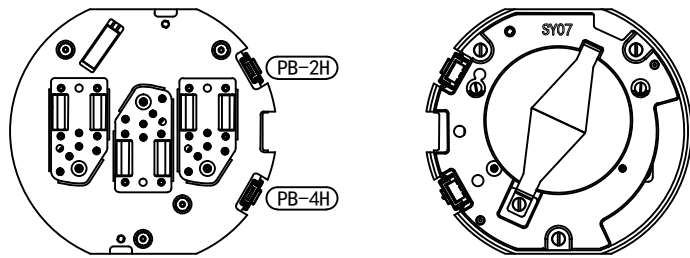
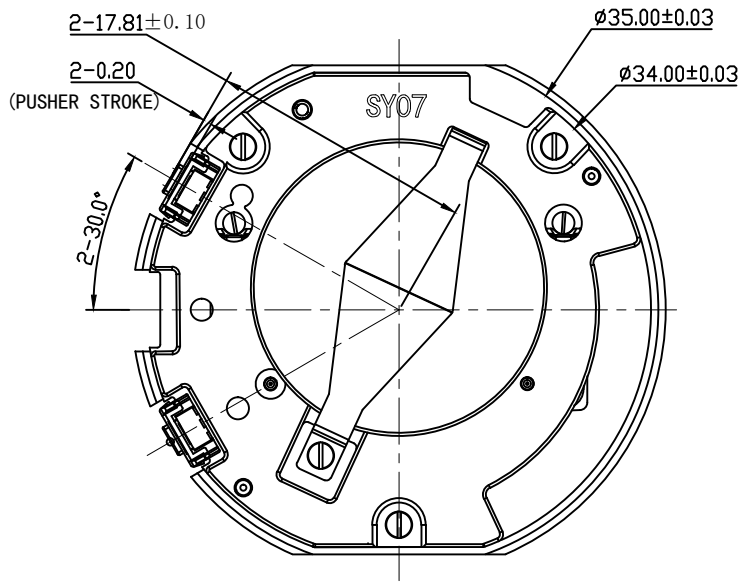
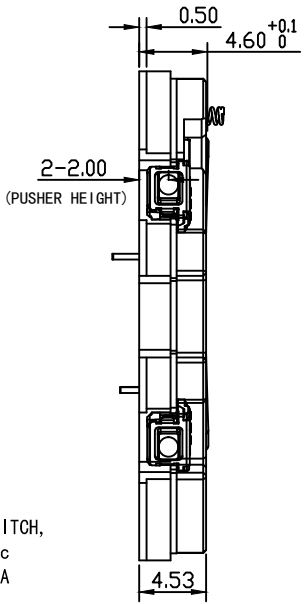
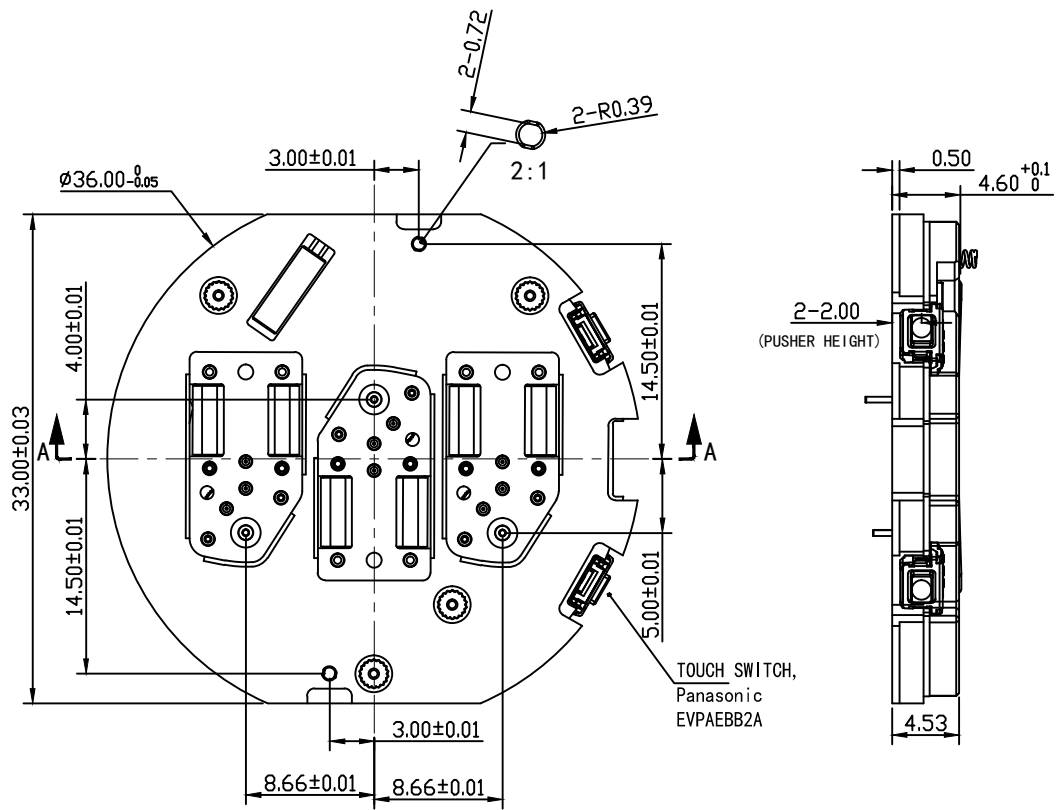
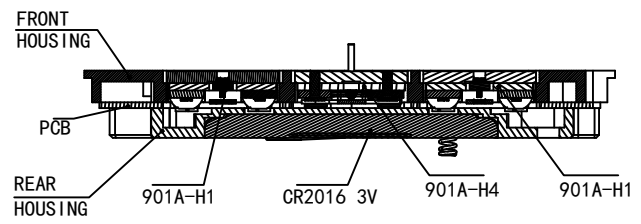


**FINALY**

REVISE		VER.	A
ITEM	DESCRIPTION	DATE	



SCALE: 1:0.5:1



**SECTION A-A**

MODULE DESCRIPTION:  
 1、Module size: 36.00±0.05  
 2、Module thickness: 4.60±0.10  
 3、Recommended case size (without dial or inner ring): 36.05±0.05 X 4.70±0.05

**SY07**

MODEL NO.	BJA080	DRAWN	CHECK	APPROVE	ANGLE
		L. P.	JOHNNY	BILLY	
TITLE	MODULE ASSEMBLY	2024.04.01	2024.04.01	2024.04.01	
STRUCTURE	NEW	PAGE 1 OF 1		SCALE: 2 : 1 : 1	

UNIT: mm  
 TOLERANCE: ±0.10

**BJ**® BAO JIE ELECTRONICS (SHEN ZHEN) LIMITED  
 宝捷时计电子(深圳)有限公司